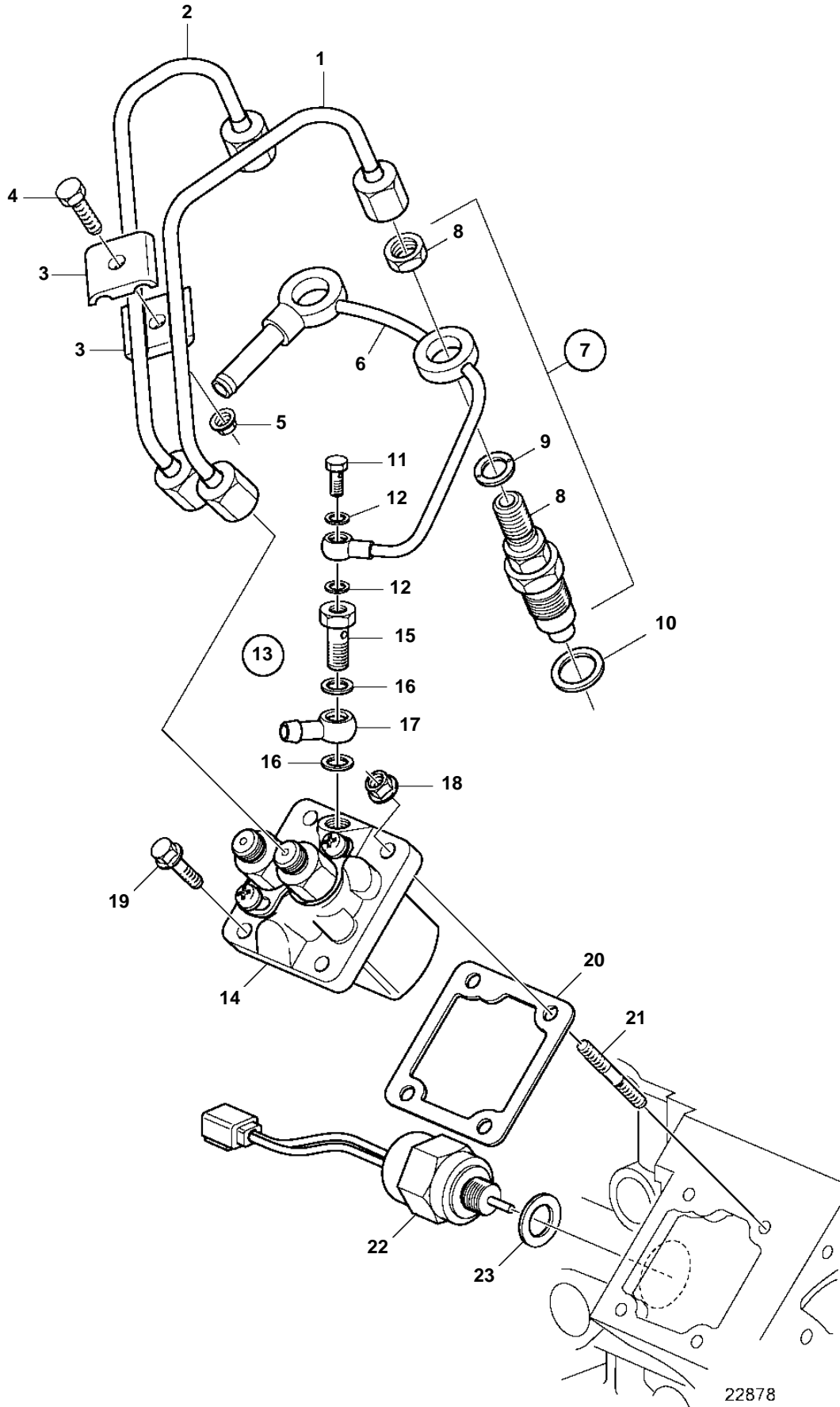


D1-13



22878

D1-13

REF	PART NO.	QTY	DESCRIPTION	NOTES
1	3809666	1	Delivery pipe	CYL 1
2	3883472	1	Delivery pipe	CYL 2
3	3580032	2	Lock pin	
4	947542	1	Screw	
5	945407	1	Flange nut	
6	3883473	1	Leak-off pipe	
7		2	Injector	
			Comps. not spec.	
	3803927	2	Injector, exch	
8		1	· Injector	
9	3580631	1	· Sealing washer	
10	3580077	2	Gasket	
11	3580094	1	Hollow screw	
12	11991	2	Seal	
13	3803896	1	Injection pump, exch	
14		1	· Injection pump	
15	3580628	1	Hollow screw	
16	11994	2	Gasket	
17	3580627	1	Banjo nipple	
18	945407	2	Flange nut	
19	3580013	2	Screw	
20	3580069	1	Spacer	T=0.20 MM
	3580070	1	Spacer	T=0.30 MM
	3580071	1	Spacer	T=0.40 MM
	3580072	1	Spacer	T=0.50 MM
21	3840809	2	Stud	
22	3584127	1	Stop solenoid	
23	3580092	1	Gasket	